

LED CEILING LIGHT

INSTALLATION INSTRUCTIONS

SAFETY INFORMATION

Risk of fire or electric shock. The electrical rating of these products are 230 Vac, the installer must determine whether they have 230 V at the luminaire before installation.

Risk of fire or electric shock. LED Ceiling light installation requires knowledge of luminaires electrical systems. If not qualified, do not attempt installation. Contact a qualified electrician.

To prevent wiring damage or abrasion, do not expose wiring to edges of sheet metal or other sharp objects.

Disconnect power before installing the product or servicing it.

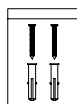
Wait until fixture has cooled down before installing or servicing the fixture.

PACKAGE CONTENTS

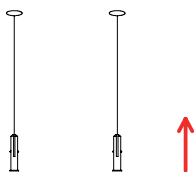
One LED Ceiling light



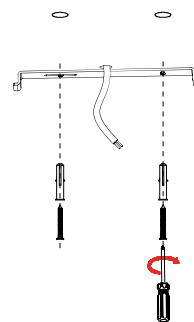
accessory pack



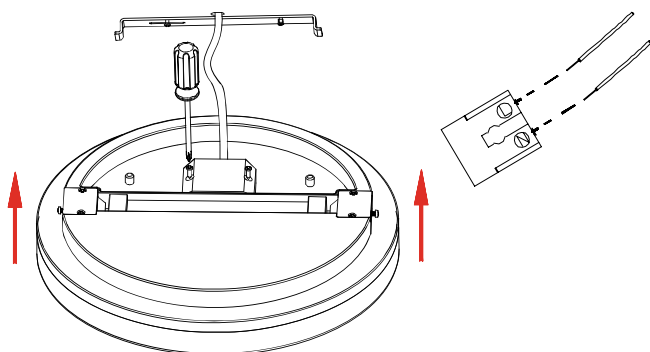
INSTALLATION INSTRUCTIONS



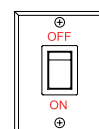
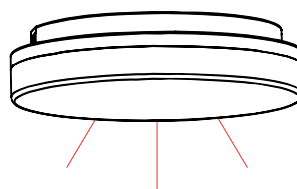
1. Knock-in the plastic anchor into ceiling



2. Fix bracket with screw into the ceiling



3. Wire "L" "N" to terminal block and mount ceiling light into the right place



4. Switch on